

Shire 40

SHIRE 40



SPECIFICATIONS

Yanmar	4 stroke, water-cooled diesel
Number of cylinders	4
Bore x stroke	84mm x 90mm (3.30" x 3.54")
Displacement	1995cc
HP (ISO 3046/1)	40hp/2600rpm
Peak torque	97lb ft/1600rpm
Combustion	Direct injection
Electrical system	Starting motor D.C.
	Twin alternator 12V 50 amp & 12V 110 amp
Cooling system	Keel or skin tank
Lubrication system	Forced lubrication by trochoid pump
Reduction and reversing gear	PRM 150 hydraulic
Reduction ratio	2.09:1
Dry weight (engine and gearbox)	181kg



- 12 Volt electric start ●
- Control panel inc tachometer, hour meter, visual & audible alarm ●
- Twin alternators 50 amp and 110 amp ●
- Heavy duty rails & flexible engine mounts ●
- Electric stop ●
- Morse type cable fittings on speed and gear control ●
- Low noise air silencer and cleaner ●
- Calorifier connections ●
- Dry exhaust silencer ●
- Flexible exhaust pipe (18") with heat shield ●
- Dry exhaust flange ●
- Sump oil drain pump fitted ●
- Flexible exhaust lines to RCD (ISO 7840) ●
- 3:1 gearbox reduction ratio ▲
- 240V alternator options available from 3.5kW ▲
- Centaflex flexible drive coupling ▲
- Aquadrive unit ▲

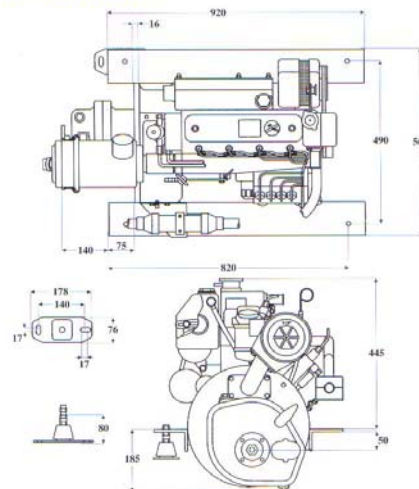
● = STANDARD ▲ = OPTIONAL EXTRA

CONTROL PANEL

All measurements in millimetres



DIMENSIONS



TORQUE & FUEL CONSUMPTION

4TNE84

